

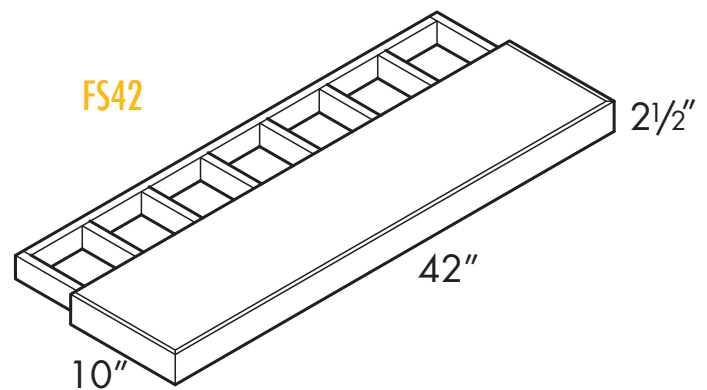
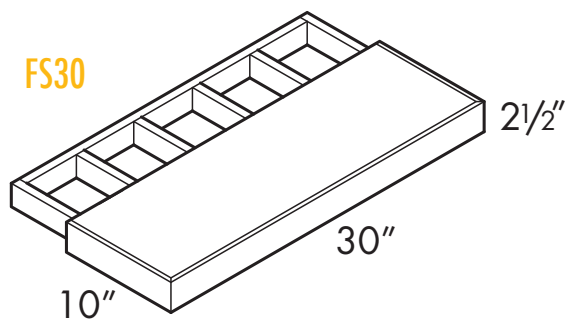
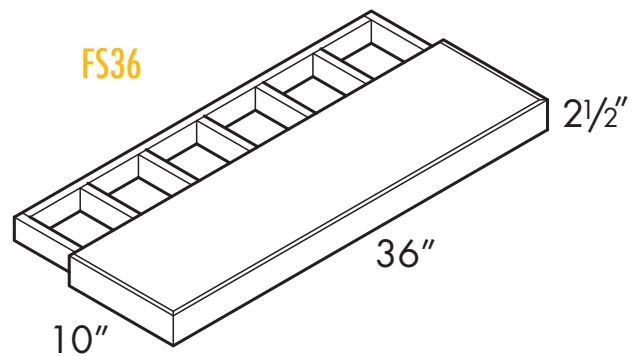
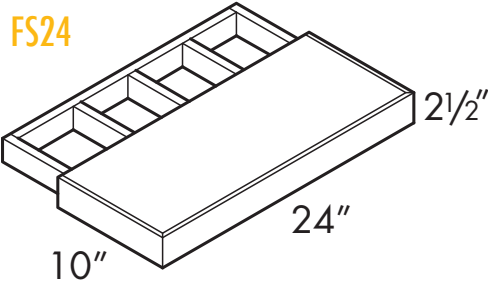


Multihousing Renovation Solutions

Cabinets for Multifamily, Hospitality, Healthcare & Student Housing

Beautiful Wood Floating Shelves

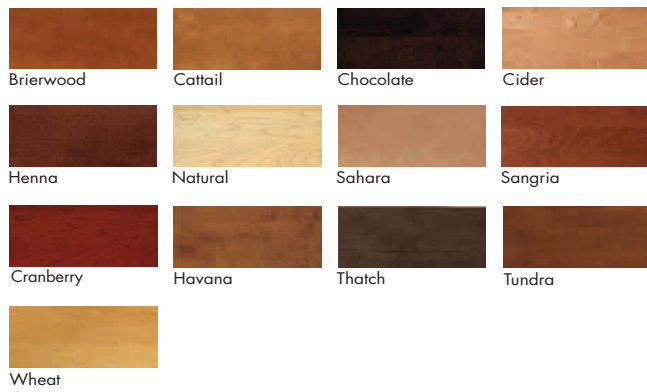
- 3/4" thick solid wood front, back, and ends. 3/8" thick veneered plywood top and bottom. Front and ends are mitered together.
- Includes solid wood mounting system, mounting hardware, and floating shelf frame. Once installed, mounting system is fully concealed.
- Maximum Weight Capacity per shelf:
24" = 30 lbs. 36" = 45 lbs.
30" = 37.5 lbs. 42" = 52.2 lbs.



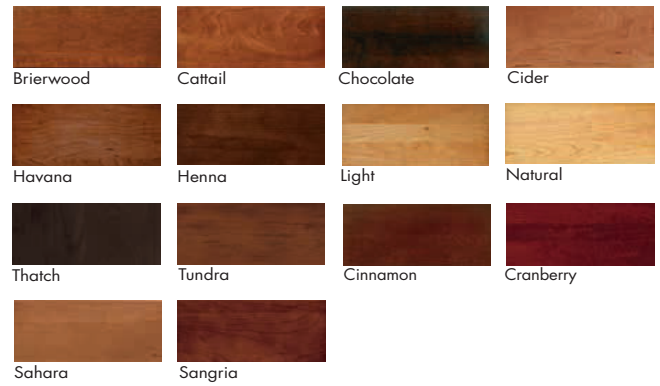
To place an order, call us at 253-981-6113
or contact us by email: sales@npi-seattle.com



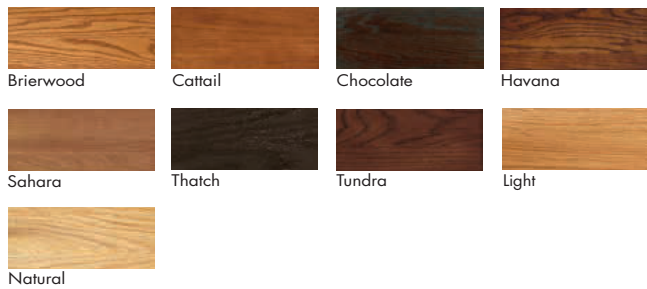
MAPLE - STANDARD FINISHES



CHERRY - STANDARD FINISHES



OAK - STANDARD FINISHES



ALDER - STANDARD FINISHES



Installation Instructions

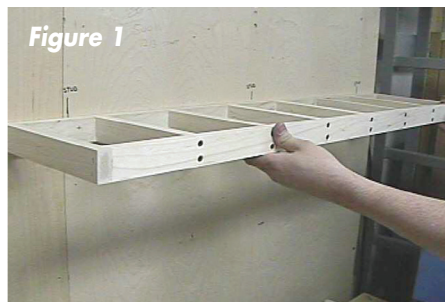


Figure 1

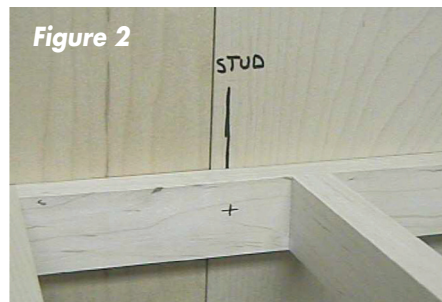


Figure 2



Figure 3



Figure 4

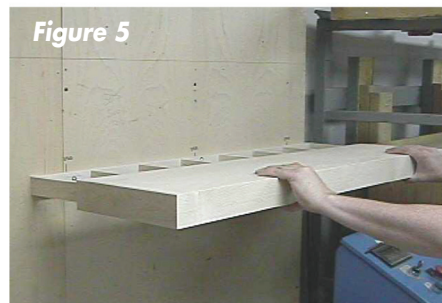


Figure 5



Figure 6

1. Identify the area where the Floating Shelf will be installed and then determine where the wall studs are with the use of a stud finder. (See Figure 1)
2. Mark the location of the studs on the Floating Shelf frame work (See Figure 2). Then predrill through the Floating Shelf frame using a 3/16" Drill bit 1/2" in from the top at each stud location.
3. Locate the Floating Shelf frame on the wall and drive one (#10 x 2 1/2" washer head) screw into the wall stud (See Figure 3). Then with the use of a level, drive another screw into a second stud (See Figure 4). Check the levelness of the shelf, adjust if needed then install the rest of the screws.
4. Install the Floating Shelf outer skin by sliding it over the frame work (See Figure 5). Use pins or small finish nails to secure the outer skin to the frame (See Figure 6).